



# Work Instruction: Install Bikini Top

## Bikini Top (P/N 0117AUA00011N)

### WORK INSTRUCTION OVERVIEW

#### ⚠ WARNING

- DO NOT ATTEMPT THIS PROCEDURE IF YOU DO NOT HAVE PROPER TOOLS, TRAINING, AND FACILITIES.
- To protect bystanders and the service technician(s), shut vehicle off, remove the Ignition Key and secure vehicle to prevent unintended movement.




### TOOLS REQUIRED

<ul style="list-style-type: none"> <li>○ Scissors (if installing with ROXOR Sound Bar)</li> </ul>	<ul style="list-style-type: none"> <li>○ Scale (if installing with ROXOR Sound Bar)</li> </ul>
---------------------------------------------------------------------------------------------------	------------------------------------------------------------------------------------------------

### TORQUE SPECIFICATION

None Required

### BIKINI TOP

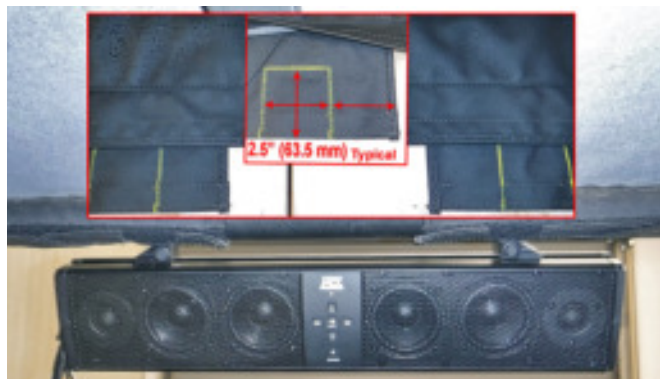
Kit Component	Description	Qty
	Bikini Top P/N-0117AUA00011N	1
	Front Bow Assembly P/N-0117AUA00101N	1
	QUICK SLIP 1" - Strap Keeper	3

### INSTALLATION PROCEDURE

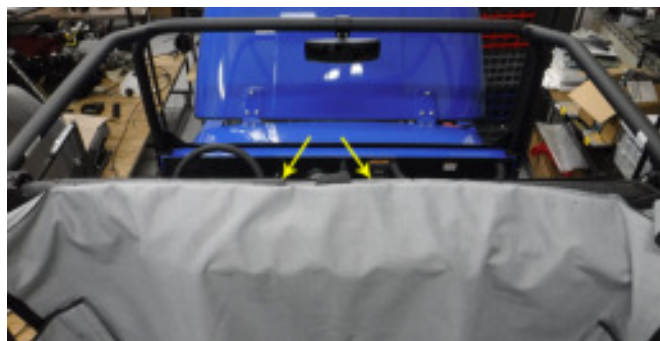
- If installing this Bikini Top with an authorized ROXOR Sound Bar. Measure, mark and test fit top, before cutting out (2) Sound Bar Clamp relief slots and beginning this installation procedure.

NOTICE

*the material used on this top does not require edge sealing to prevent splitting and fraying.*



- Secure (2) hook and loop flaps to "B" Pillar ROPS Bar.



- Lay Bikini Top forward, toward front ROPS Bar, making sure rear right and left protective flaps are positioned to protect top from "B" Pillar bolt heads.





## Work Instruction: Install Bikini Top

Bikini Top (P/N 0117AUA00011N)

4. Secure (1) right side and (1) left side hook and loop flaps to Fore Aft ROPS Bar.



5. Secure (1) right side and (1) left side Front Corner Straps to "A" Pillar ROPS on outside of Fore Aft ROPS Bars.



6. Install Center Bow above ROPS with foam facing up, then secure front and rear with hook and loop flaps around bow.



7. Secure (2) Fore Aft Straps and snug.



8. Lace (1) Cross Car Strap as shown, then snug.



9. Secure (1) right side and (1) left side rear hook and loop straps around Fore Aft ROPS Bar behind "B" Pillar.



10. Secure (1) right side and (1) left side Rear Corner Straps to "B" Pillar ROPS.



11. Make any final centering adjustments, then tighten all straps, stow (3) roof traps in supplied Strap Keepers.

